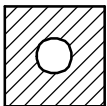
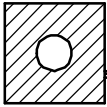
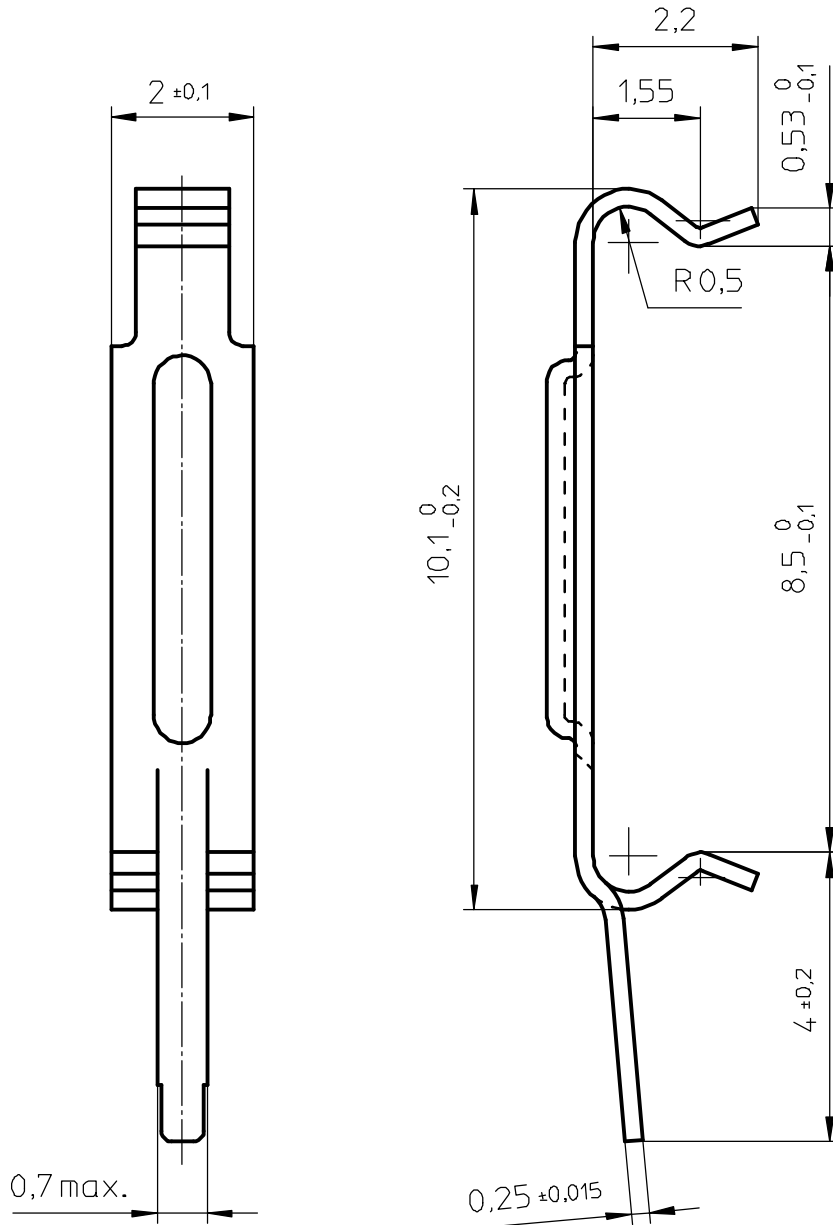


FERROXCUBE



1 2 3 4



Clamping force on RM4 core set $\pm 10\text{N}$.
 Clamping force on RM5 core set $\pm 12,5\text{N}$.
 Clip material : spring steel - Ni flash , Ag plated.
 Solderability : IEC 68-2-20 part 2, Test Ta, method 1.

CLASS NO.		CLI/P-RM4/5		4322 021 31904		91-08-23			
96-08-29						96-08-29			
NAME NAAM	M.Veekens	SUPERS. VERV.	1	SH BL	112	-	001	010	A4
MPA	CHECK CONTR.	DAT.	91-08-23	Property of Eigendom van		© FERROXCUBE 2000			