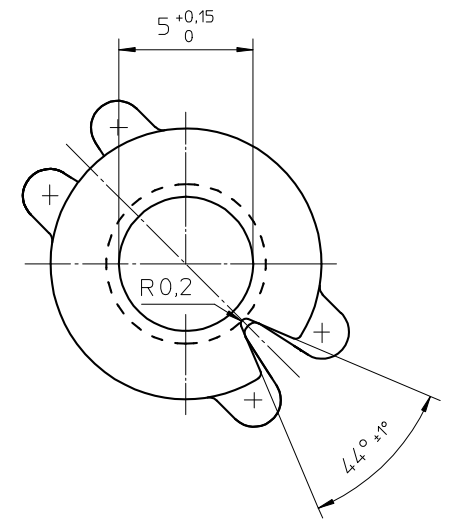
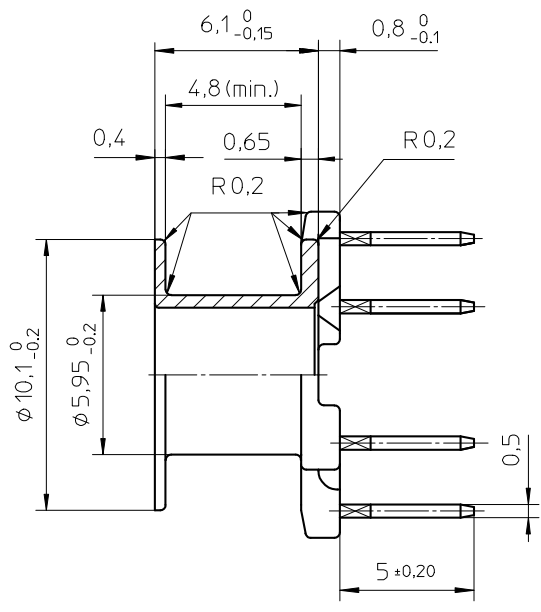
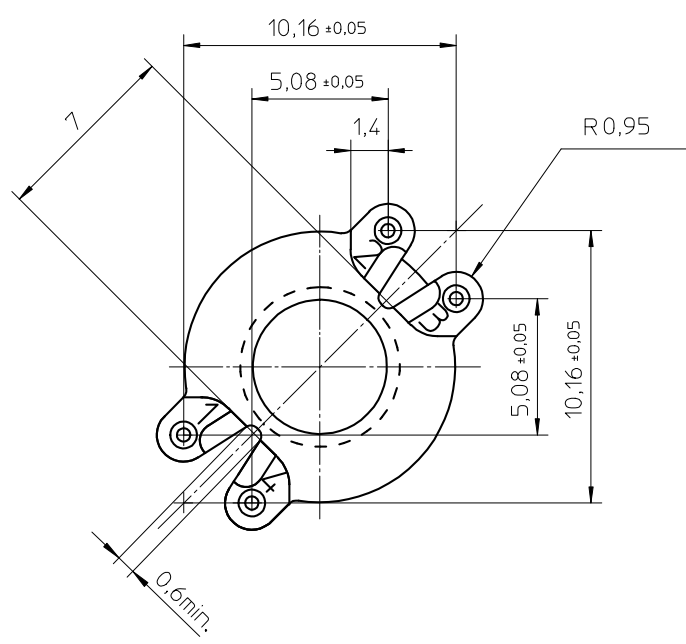




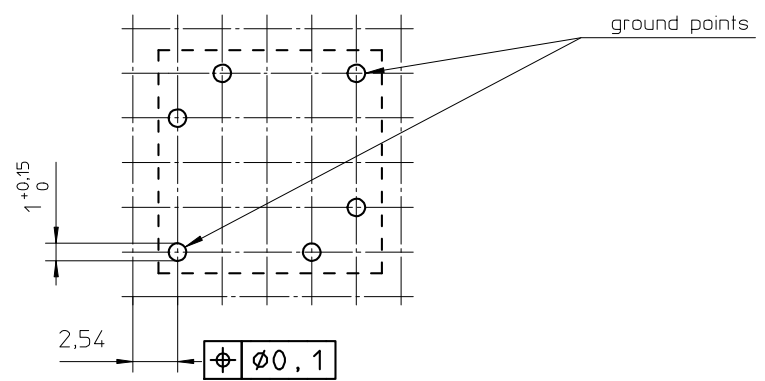
e

f



HOLE PATTERN:

Space requirement 5x5 pitch.



- Coil former material: Sumikon PM-9630 (PF), glass-reinforced.
UL file number: E41429 - UL94V-0.
- Pin material: CuSn - Ni flash, Sn plated.
- Max. operating temp.: acc. to IEC 60 085 class H, 180°C.
- Resistance to soldering heat: acc. to IEC 60 068-2-20 Part 2, Test Tb, method 1B, 350°C-3,5s.
- Solderability: acc. to IEC 60 068-2-20 Part 2, Test Ta, method 1, 235°C-2s.
- Min. winding area: 9,5 mm².
- Mean length of turn: 25 mm.

CLASSNO.		CSV-RM5-1S-4P-IZ		4322 021 06871		07-11-08	
07-11-08							
NAME NAAM	A.Wojtasz	SUPERS. VERV.		1	SP SH BL BL	112 - 001	010
MPA	CHECK CONTR.	DAT.	07-11-08	Property of Eigendom van	© FERROXCUBE 2007		
						A3	