



c



d

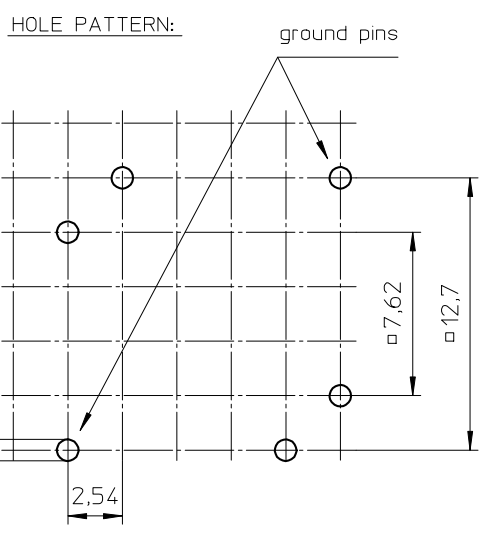
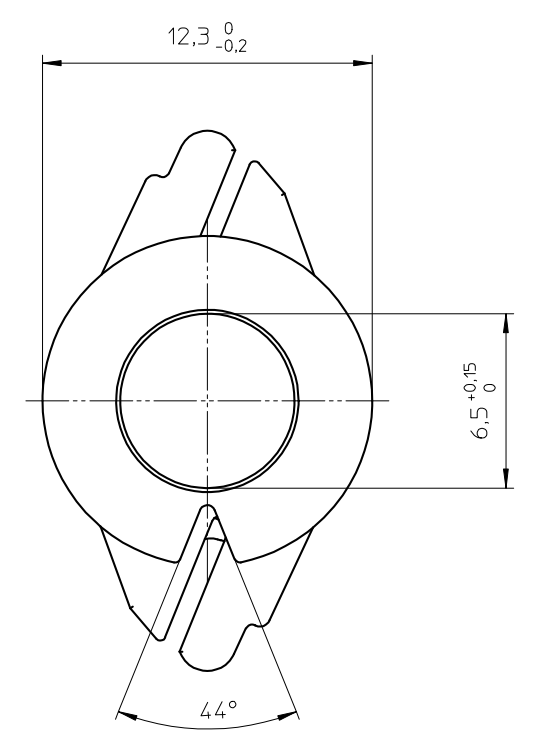
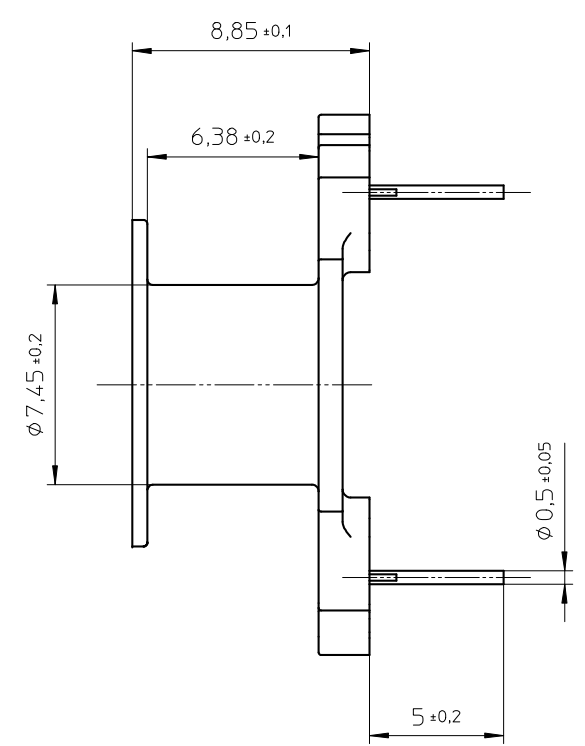
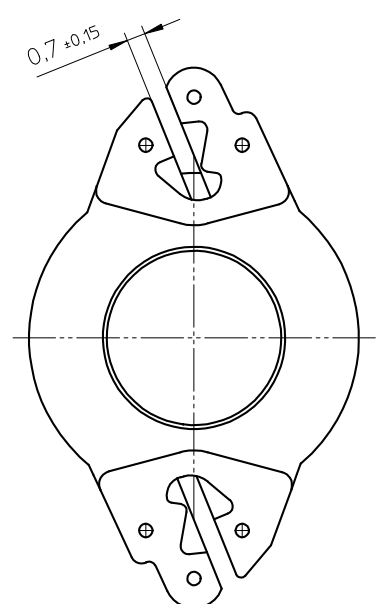


e

f



1 2 3 4 5 6 7 8



Coil former material: Sumikon PM9630 (PF), glass-reinforced.
 UL file number: E41429 - UL94V-0.

Pin material: Copper-plated steel wire, Sn plated.

Max. operating temp.: acc. to IEC 60085 class F, 150°C.

Resistance to soldering heat: acc. to IEC 60068-2-20 Part 2, Test Tb, method 1B, 350°C - 3,5sec.

Solderability: acc. to IEC 60068-2-20 Part 2, Test Ta, method 1, 235°C - 2sec.

Min. winding area: 14,5 mm².

Mean length of turn: 30 mm.



CLASSNO.		CSV-RM6S-1S-4P-TZ		4322 021 06241		03-02-25	
NAME NAAM		M.Tryngiel		SUPERS. VERV.		001	
MPA		CHECK CONTR.		DAT.		03-02-25	
		Property of Eigendom van		© FERROXCUBE 2008		112 - 001	
						A3	

1 2 3 4