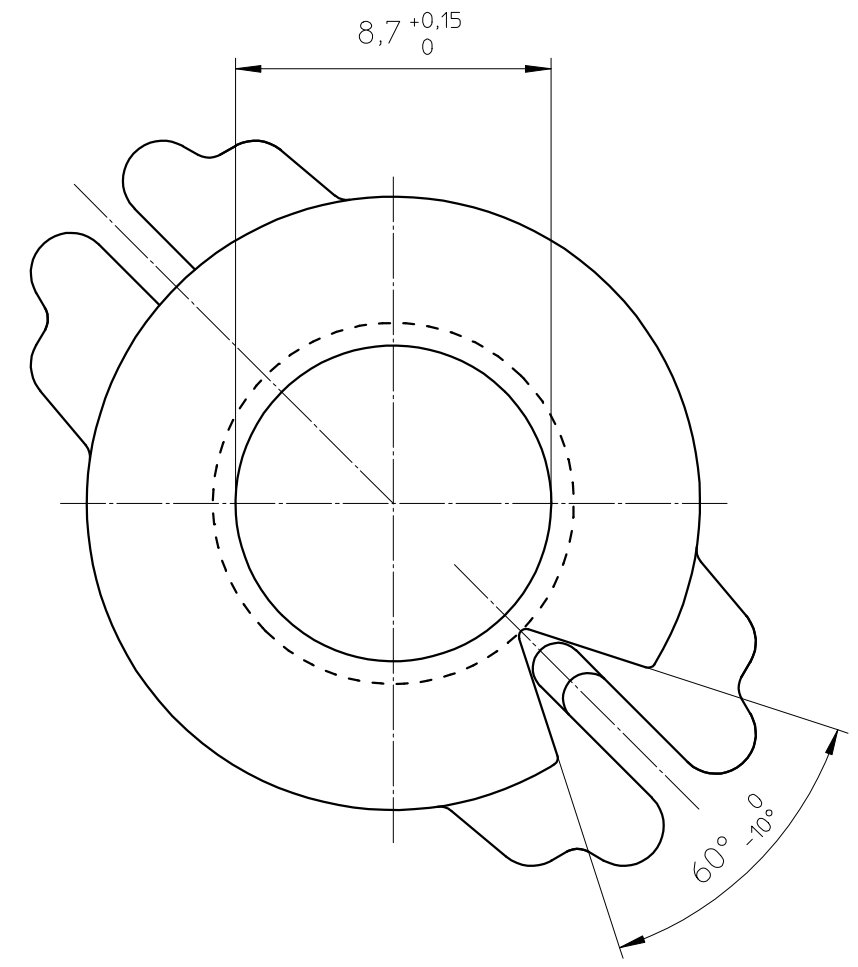
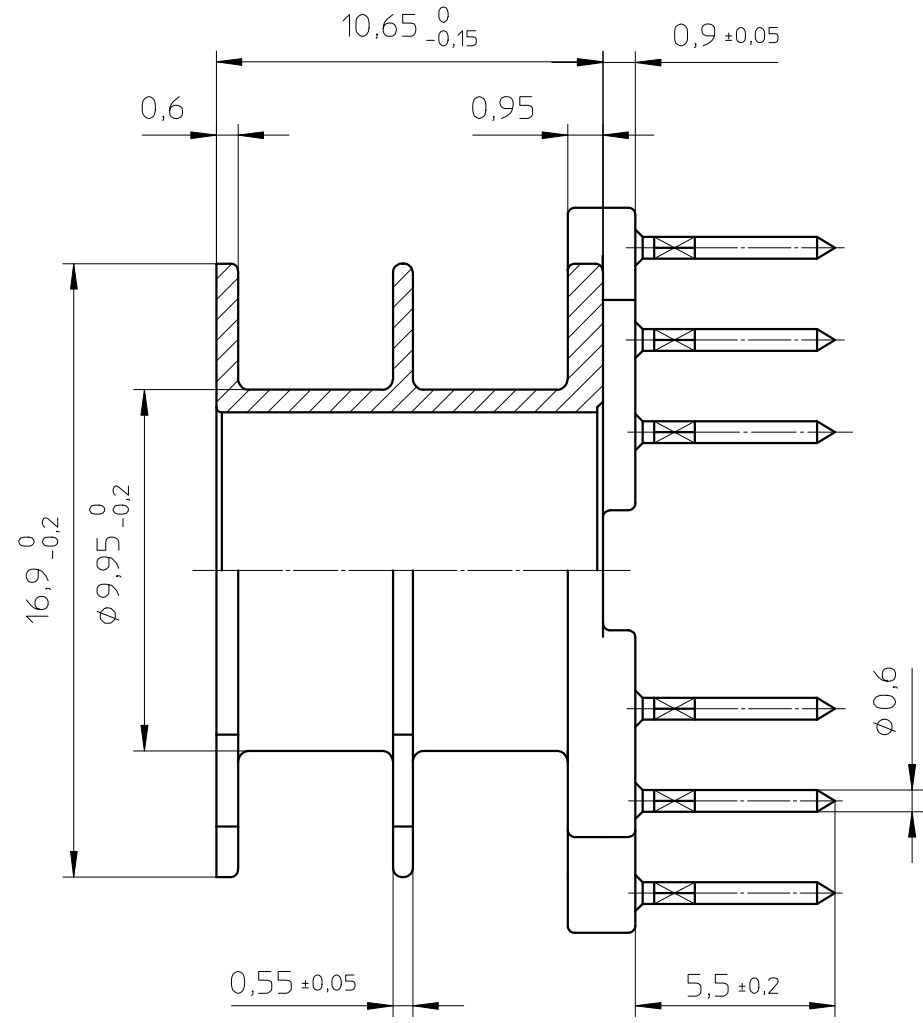
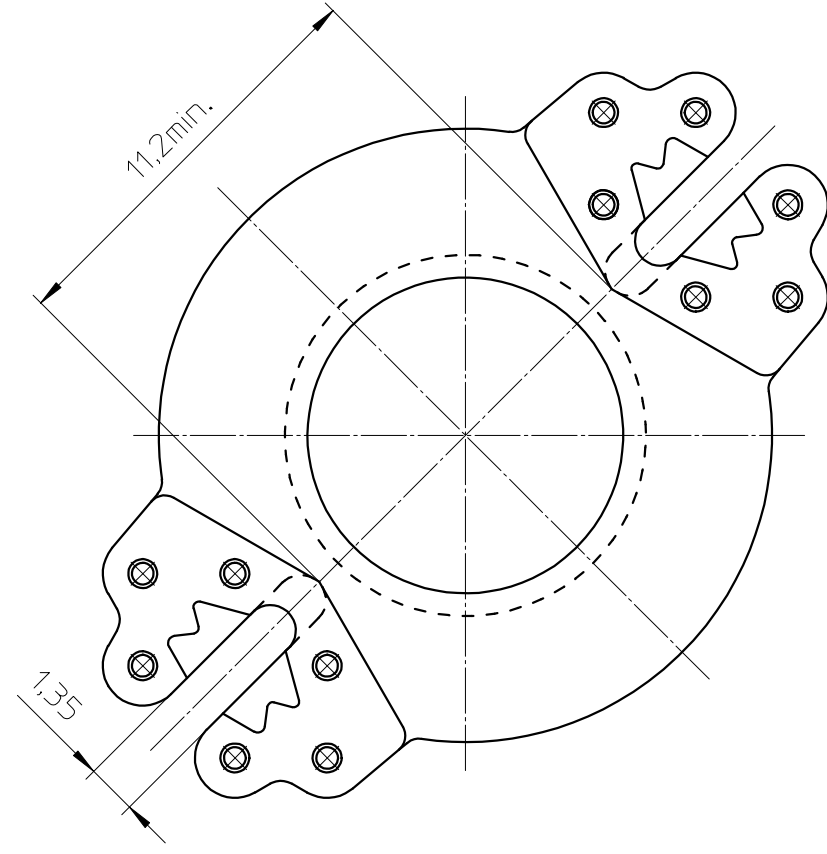
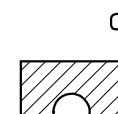
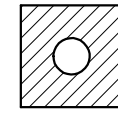
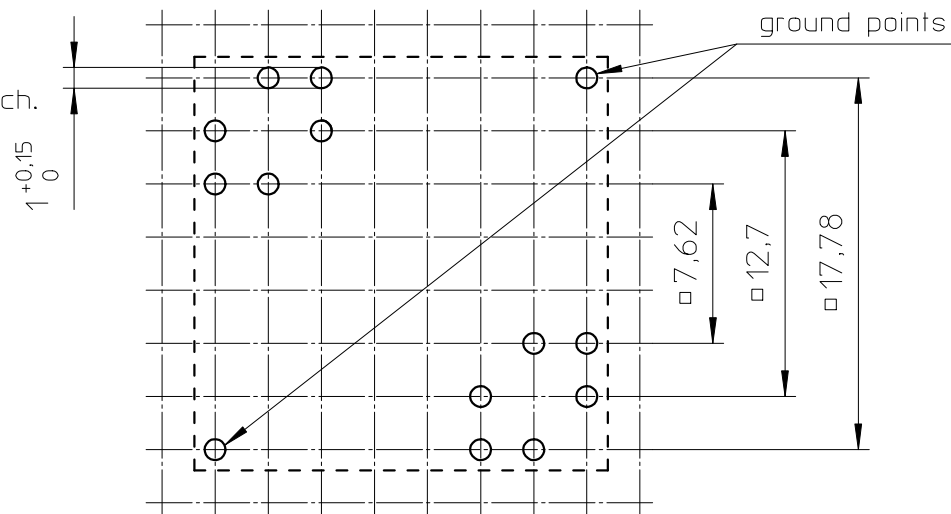


FERROXCUBE



HOLE PATTERN:

Space requirement 8x8 pitch.



Coil former material: Bakelite UP 3420 (UP), glass-reinforced.
 UL file number: E61040 - UL94V-0.
 Pin material: CuSn - Ni flash, Sn plated.
 Max. operating temp.: acc. to IEC 60 085 class F, 155°C.
 Resistance to soldering heat: acc. to IEC 60 068-2-20 Part 2, Test Tb, method 1B, 350°C - 3.5sec.
 Solderability: acc. to IEC 60 068-2-20 Part 2, Test Ta, method 1, 235°C - 2sec.
 Min. winding area: 30 mm².
 Mean length of turn: 42 mm.

| | | | | | | | |
|--------------|-----------------|------|------------------|-----------------------------|----------------|-------------------|---------------------|
| CLASS.NO. | 89-12-15 | | CSV-RM8-2S-12P | | 4322 021 34711 | | 05-09-01 |
| | | | | | | | 04-09-28 |
| | | | | | | | 90-05-16 |
| | | | | | | | 97-04-18 |
| | | | | | | | 00-05-02 |
| NAME NAAM | M.Veekens | | SUPERS. VERV. | 1 | SH BL. | 112 - 001 | 010 |
| MPA | CHECK CONTR. | DAT. | 89-03-15 | Property of Eigendom van | | © FERROXCUBE 2000 | |