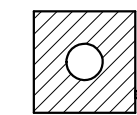
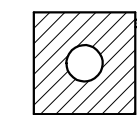
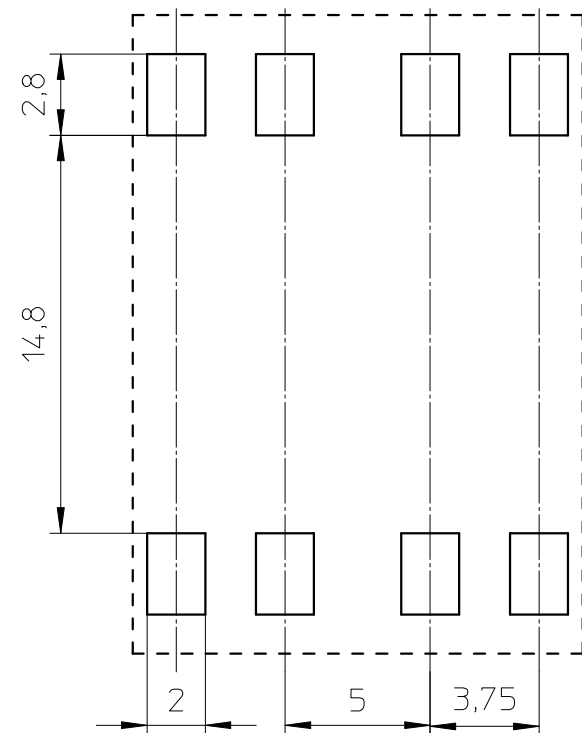
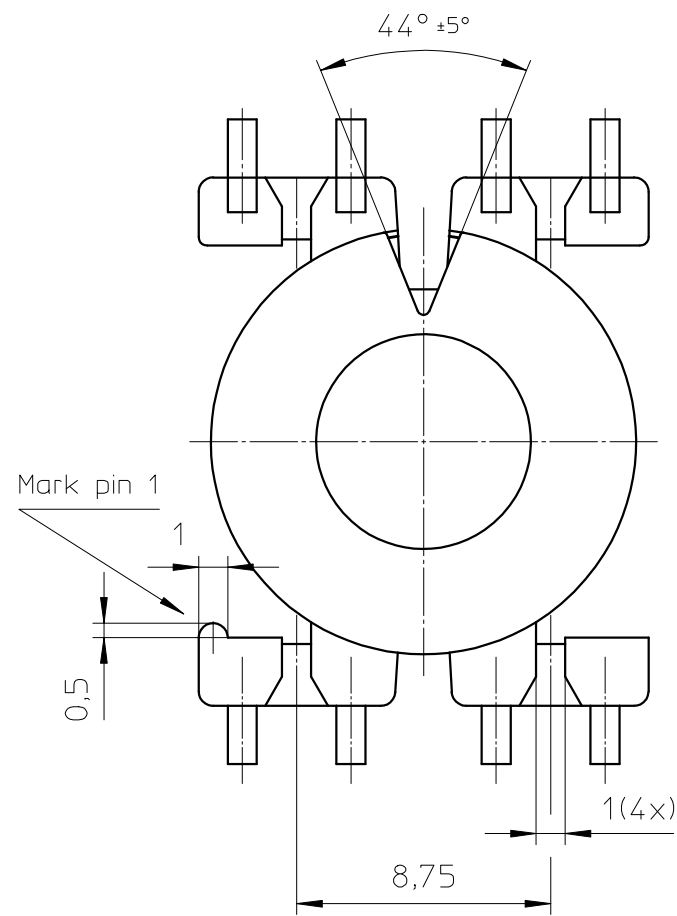
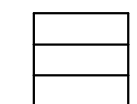


**FERROXCUBE**

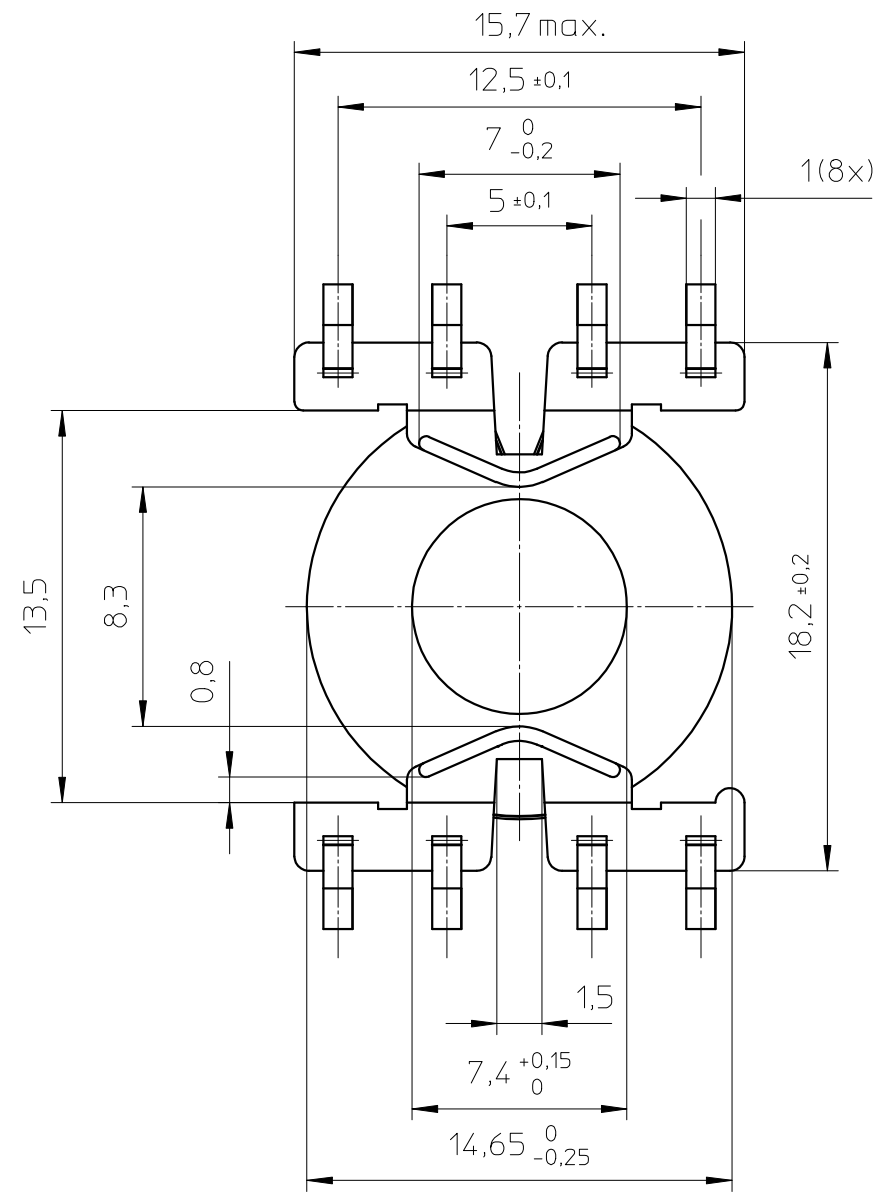
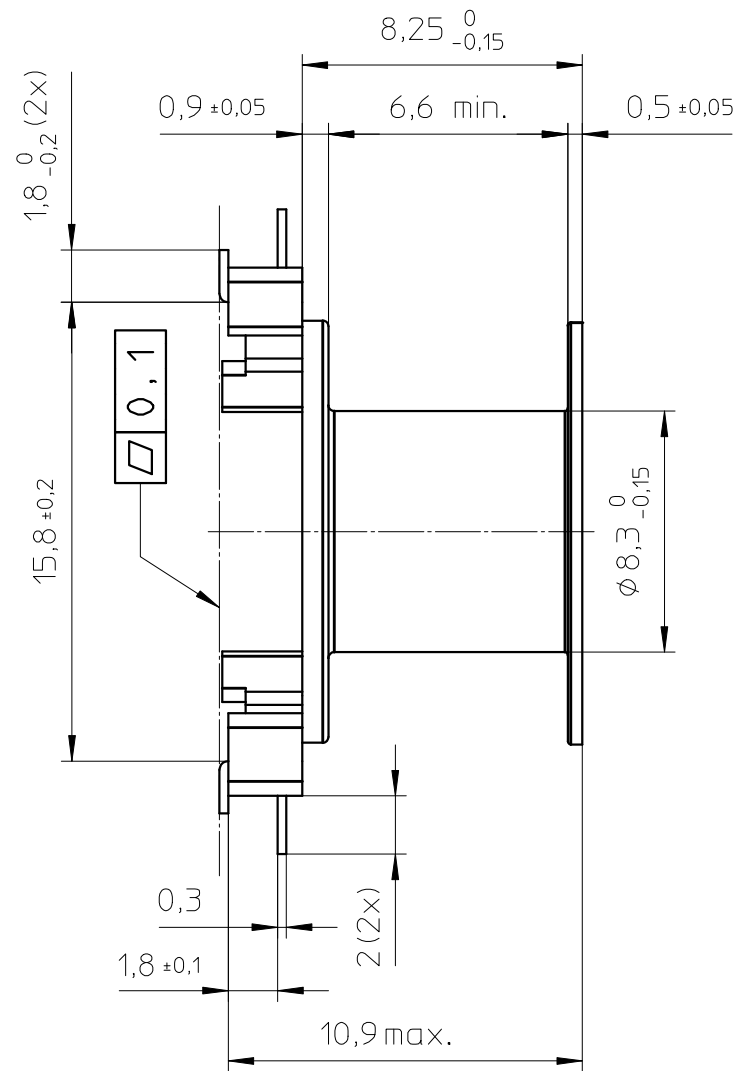


e

f



PROPOSED PAD ARRANGEMENT:



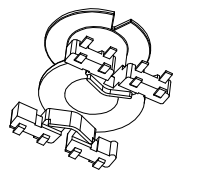
Coil former material: Sumikon PM9630 (PF), glass-reinforced.  
 UL file number: E41429(M) - UL94V-0.

Pin material: CuSn6, Sn plated.

Max. operating temp.: acc. to IEC 60 085 class F, 155°C.

Resistance to soldering heat: acc. to IEC 60 068-2-20 Part 2, Test Tb, method 1B, 350°C - 3.5s.

Solderability: acc. to IEC 60 068-2-20 Part 2, Test Ta, method 1, 235°C - 2s.



CLASS.NO.	CSVS-RM7-1S-8P-Z		4322 021 06391		2004-06-14
					2004-10-..
NAME NAAM	M.Veekens	SUPERS. VERV.	001	SH BL.	110 - 001
MPA	CHECK CONTR.	DAT.	2004-06-14	Property of Eigendom van	© FERROXCUBE 2000
					A3