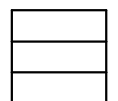
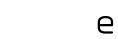
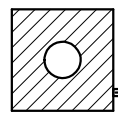
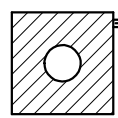
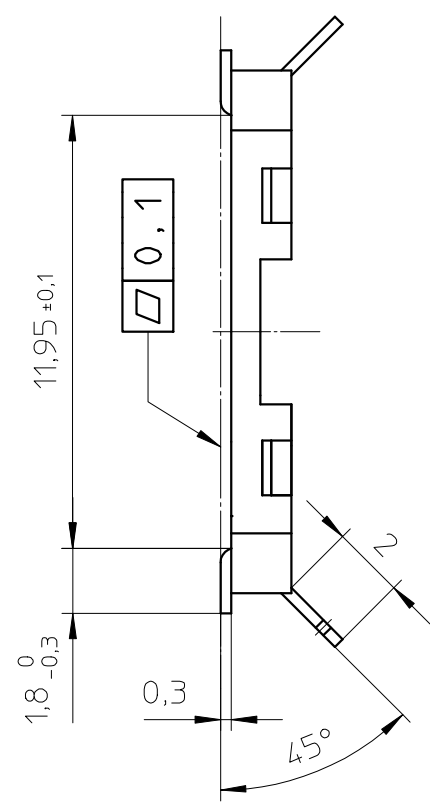
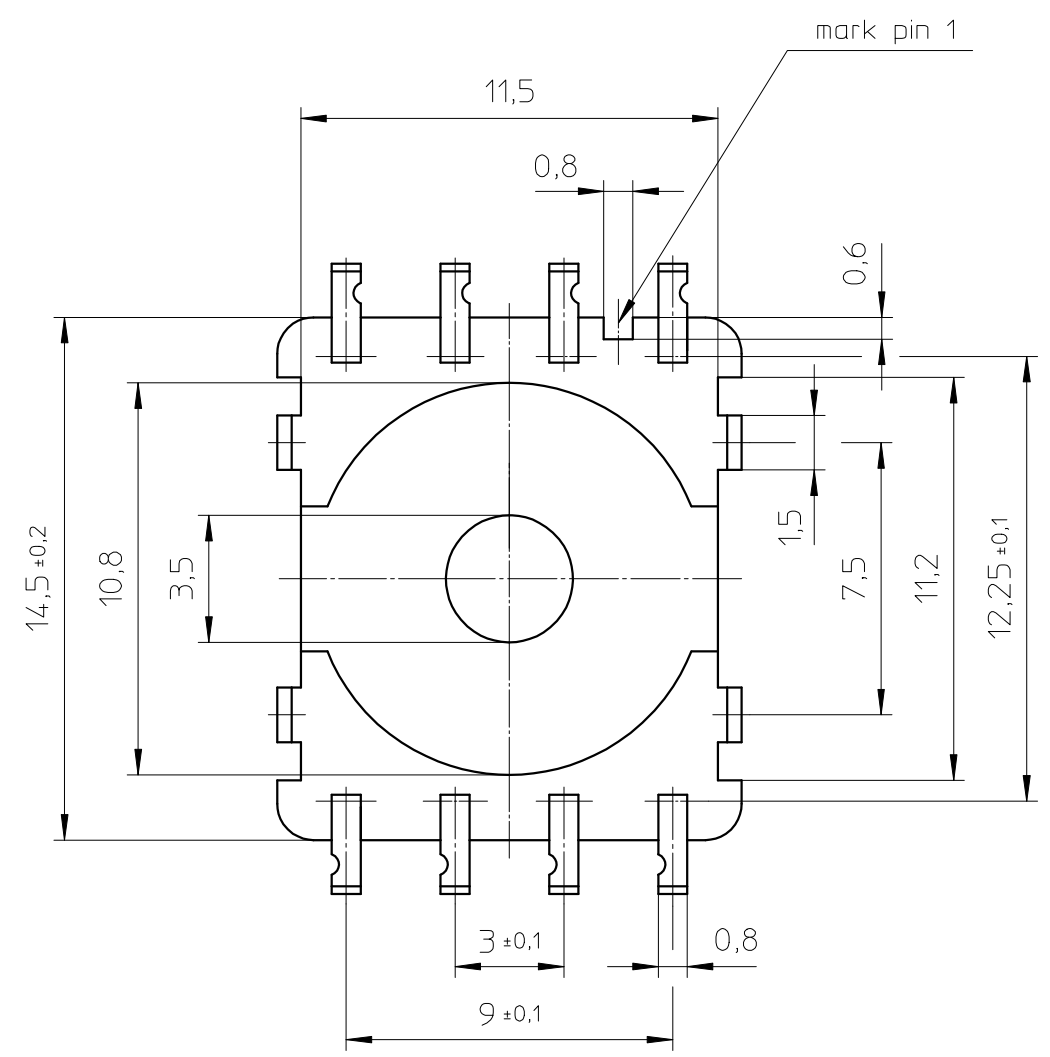
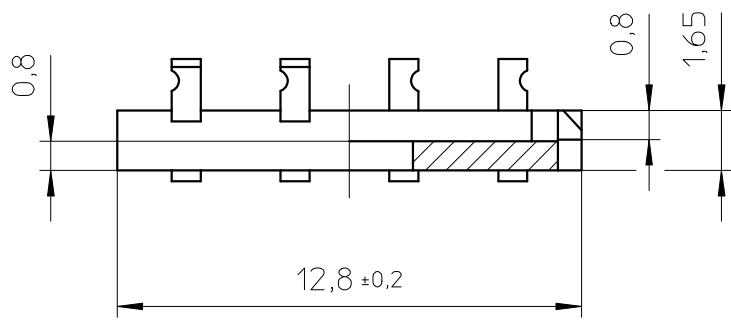


FERROXCUBE

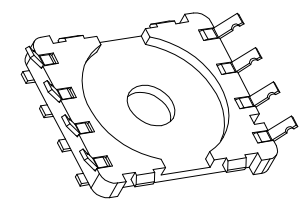
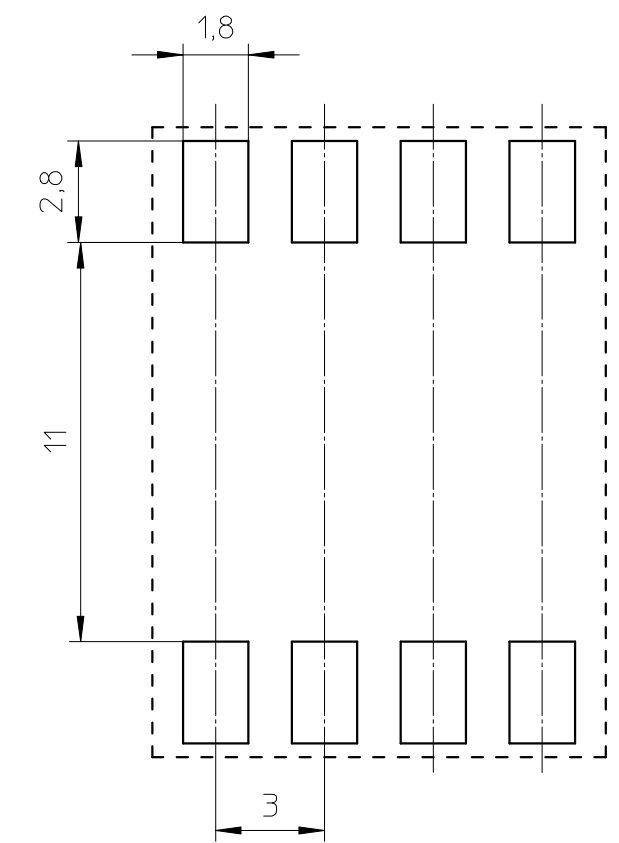


1 2 3 4 5 6 7 8

Coil former material: Sumikasuper E4008 (LCP), glass-reinforced.
 UL file number: E54705 - UL94V-0.
 Pin material: CuSn - Ni flash, Sn plated.
 Max. operating temp.: acc. to IEC 60 085 class F, 155°C.
 Resistance to soldering heat: acc. to IEC 60 068-2-20 Part 2, Test Tb, method 1B, 350°C - 3,5sec
 Solderability: acc. to IEC 60 068-2-20 Part 2, Test Ta, method 1, 235°C - 2sec.



PROPOSED PAD ARRANGEMENT :



CLASS.NO.	TGPS-9-8P-Z		4322 021 06371		2004-02-12	2006-06-14
NAME NAAM	A.Wojtasz	SUPERS. VERV.	001	SH SH BL BL 112 - 001	069	A3
MPA	CHECK CONTR.	DAT.	2004-02-12	Property of Eigendom van	© FERROXCUBE 2000	

1 2 3 4