

DATA SHEET

TX24/14/8.9
Alloy powder toroids

New data

2008 Sep 01

Alloy powder toroids

TX24/14/8.9

RING CORES (TOROIDS)

Effective core parameters

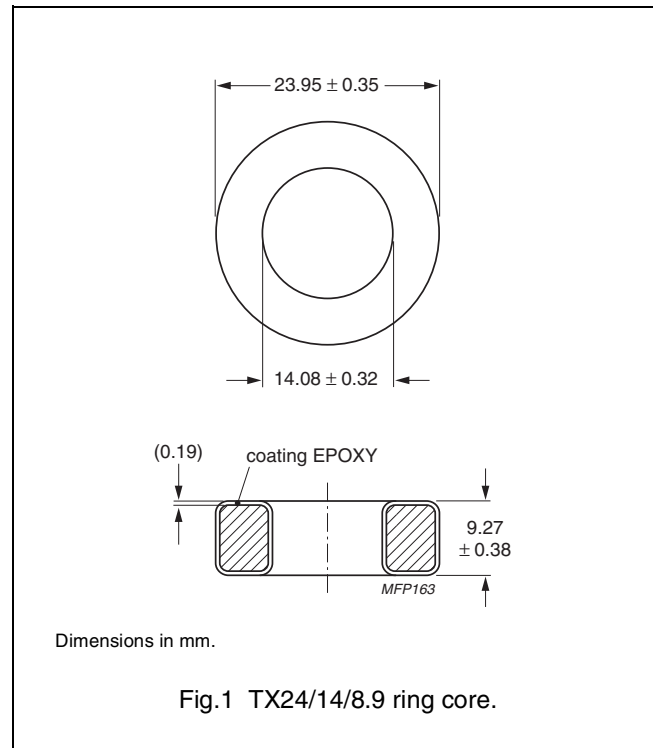
SYMBOL	PARAMETER	VALUE	UNIT	
$\Sigma(I/A)$	core factor (C1)	1.52	mm ⁻¹	
V_e	effective volume	2280	mm ³	
l_e	effective length	58.8	mm	
A_e	effective area	38.8	mm ²	
m	mass of core (for μ_i 125)	MPP	19.9	g
		Sendust	14.0	g
		High-Flux	18.8	g

Coating

The cores are coated with epoxy. The colour is cream (Sendust), grey (MPP) or khaki (High-Flux). Maximum operating temperature is 200 °C.

Isolation voltage

AC isolation voltage : 1000 V.
Contacts are applied on the edge of the ring core, which is also the critical point for the winding operation.



Ring core data

GRADE	A_L (nH)	μ_i	B (mT) at	CORE LOSS (W) at	TYPE NUMBER
			H = 100 kA/m; f = 10 kHz; T = 25 °C	f = 100 kHz; \hat{B} = 100 mT; T = 25 °C	
MPP	12 ± 8 %	14	≥ 640	3.42	TX24/8.9-M2-A12
	22 ± 8 %	26	≥ 700	2.74	TX24/8.9-M2-A22
	51 ± 8 %	60	≥ 760	1.71	TX24/8.9-M2-A51
	105 ± 8 %	125	≥ 800	1.71	TX24/8.9-M2-A105
	124 ± 8 %	147	≥ 800	1.82	TX24/8.9-M2-A124
	135 ± 8 %	160	≥ 800	1.82	TX24/8.9-M2-A135
	146 ± 8 %	173	≥ 800	1.82	TX24/8.9-M2-A146
	169 ± 8 %	200	≥ 800	3.42	TX24/8.9-M2-A169
Sendust	253 ± 8 %	300	≥ 800	3.42	TX24/8.9-M2-A253
	22 ± 8 %	26	≥ 1000	3.65	TX24/8.9-S7-A22
	51 ± 8 %	60	≥ 1030	1.95	TX24/8.9-S7-A51
High-Flux	105 ± 8 %	125	≥ 1060	1.95	TX24/8.9-S7-A105
	12 ± 8 %	14	≥ 890	5.70	TX24/8.9-H2-A12
	22 ± 8 %	26	≥ 980	4.56	TX24/8.9-H2-A22
	51 ± 8 %	60	≥ 1280	4.10	TX24/8.9-H2-A51
	105 ± 8 %	125	≥ 1370	4.56	TX24/8.9-H2-A105
High-Flux	124 ± 8 %	147	≥ 1385	5.02	TX24/8.9-H2-A124
	135 ± 8 %	160	≥ 1400	7.98	TX24/8.9-H2-A135

Alloy powder toroids

TX24/14/8.9




DATA SHEET STATUS DEFINITIONS

DATA SHEET STATUS	PRODUCT STATUS	DEFINITIONS
Preliminary specification	Development	This data sheet contains preliminary data. Ferroxcube reserves the right to make changes at any time without notice in order to improve design and supply the best possible product.
Product specification	Production	This data sheet contains final specifications. Ferroxcube reserves the right to make changes at any time without notice in order to improve design and supply the best possible product.

DISCLAIMER

Life support applications — These products are not designed for use in life support appliances, devices, or systems where malfunction of these products can reasonably be expected to result in personal injury. Ferroxcube customers using or selling these products for use in such applications do so at their own risk and agree to fully indemnify Ferroxcube for any damages resulting from such application.

PRODUCT STATUS DEFINITIONS

STATUS	INDICATION	DEFINITION
Prototype		These are products that have been made as development samples for the purposes of technical evaluation only. The data for these types is provisional and is subject to change.
Design-in		These products are recommended for new designs.
Preferred		These products are recommended for use in current designs and are available via our sales channels.
Support		These products are not recommended for new designs and may not be available through all of our sales channels. Customers are advised to check for availability.